

Arlys™ Technical Specification

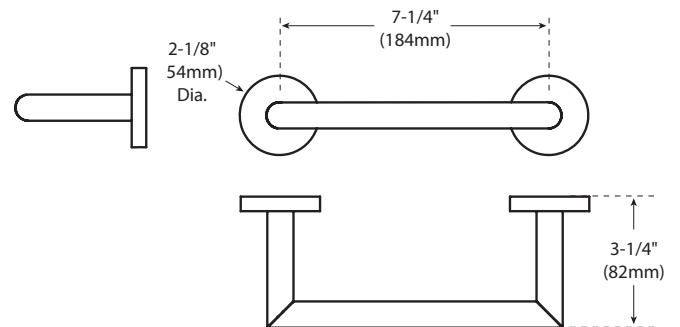
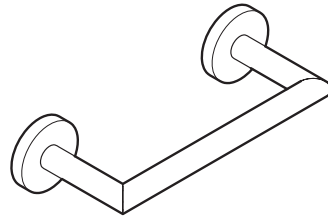
Hand Towel Bar

Y5786

Stock Numbers:

- **Y5786BN** – Hand Towel Bar
Brushed Nickel Finish
- **Y5786BL** – Hand Towel Bar
Matte Black Finish
- **Y5786CH** – Hand Towel Bar
Chrome Finish

Dimensions:



Materials:

Hand Towel Bar base is constructed of zinc. **Bar** is aluminum.

Installation Instructions:

1. Remove the mounting post from the body by loosening the set screw.
2. Position the mounting template on the wall in the desired location. Using a level, align the template and tape it to the wall.
3. Drill pilot holes in marked location, remove template from wall
4. Attach mounting post to wall using anchors in pre-drilled pilot holes
5. Tighten all screws.
6. Place each post over the mounting plate with set screw down. Tighten both set screws.

Cleaning Instructions:

To preserve the fine finish of this product, clean only with a soft damp cloth. Dry well. Do not use commercial or abrasive cleaners.

Stock Number: _____ **Hand Towel Bar**
By Moen Incorporated

MOEN®

25300 AL MOEN DRIVE • NORTH OLMSTED, OH 44070
CORPORATE HEADQUARTERS: (800) 321-8809 • FAX: (800) 848-6636
INTERNATIONAL: (440) 962-2000 • FAX: (440) 962-2726
CUSTOMER SERVICE (USA): 800-882-0116 • FAX: (888) 379-2720
WWW.MOEN.COM

© 2020 Moen Incorporated. Moen is a registered trademark and Arlys is a trademark of Moen Incorporated. All rights reserved.