

DESCRIPTION

- Metal construction with various finishes identified by suffix
- Single function handshower with double check valves


OPERATION

- Lever and cross style handles
- Rotate hot side handle counterclockwise to open (clockwise to close)
- Rotate cold side handle clockwise to open (counterclockwise to close)

FLOW

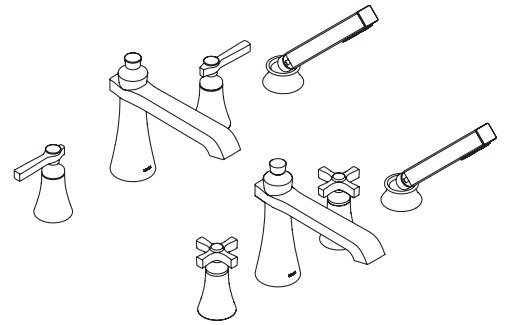
- Hand shower meets 2.0 gpm max (7.6 L/min) @ 80 psi

STANDARDS

- Third party certified to ASME A112.18.1/CSA B-125.1, and all applicable requirements referenced therein
- **ADA**  for lever handles

WARRANTY

- Lifetime limited warranty against leaks, drips and finish defects to the original homeowner
 - 10 year limited warranty when used in a multifamily installation
 - 5 year limited warranty when used in a commercial installation
- Visit www.moen.com/support for complete details and limitations



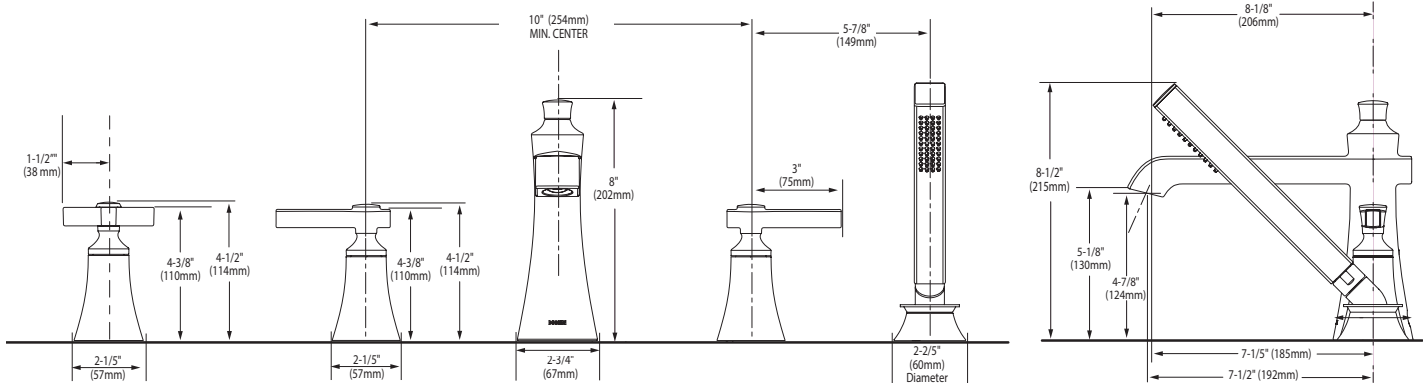
FLARA™

Two-Handle Roman Tub Faucet Trim w/Built In Diverter Valve

Models: TS928 series (lever handle)

Models: TS929 series (cross handle)

Valves: 9792, 9793



CRITICAL DIMENSIONS

(DO NOT SCALE)