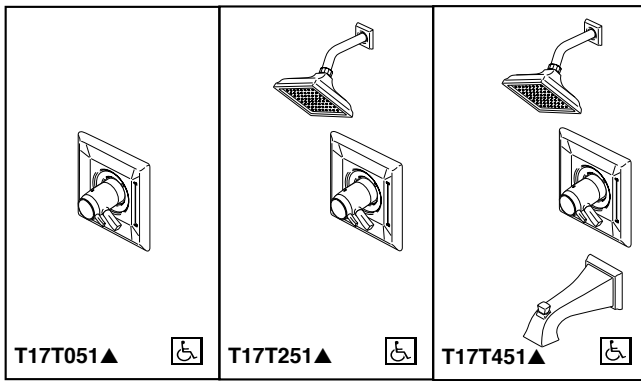




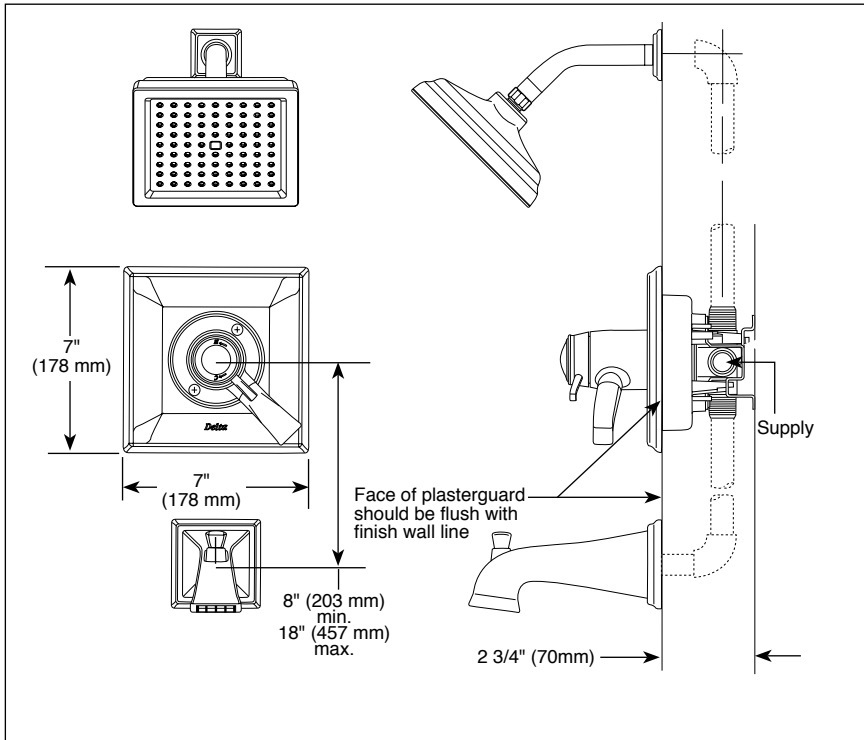
# TUB AND SHOWER FAUCET TRIM



- Dryden™ Bath Collection
- TempAssure® Thermostatic
- Valve Only (T17T051 Series)
- Shower Only (T17T251 Series)
- Tub/Shower (T17T451 Series)

Submitted Model No.: \_\_\_\_\_

Specific Features: \_\_\_\_\_



## STANDARD SPECIFICATIONS:

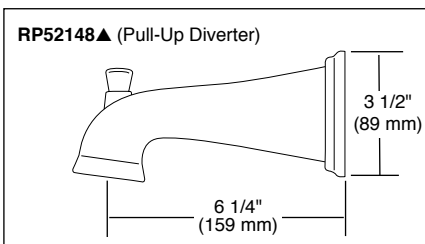
- TempAssure® 17T thermostatic valve cartridge.
- Thermostatic wax element maintains the outlet temperature to  $\pm 3.6^\circ\text{F}$ .
- Must also order Multi-Choice® Universal rough separately.
- Back-to-back installation capability.
- Solid brass forged body.
- Lever volume control handle; temperature adjustment dial.
- Graphics indicate hot/cold temperature adjustment.
- Field adjustable to limit rotation into hot water zone.
- All parts are replaceable from the front of the valve.
- Adjusts for up to 1" wall thickness.

## WARRANTY

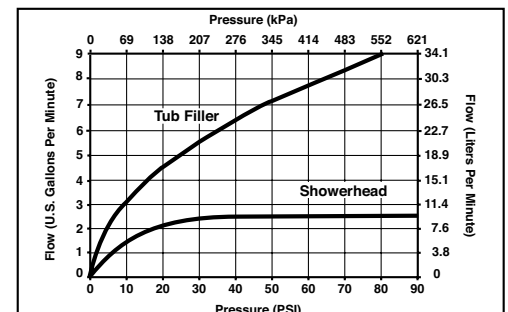
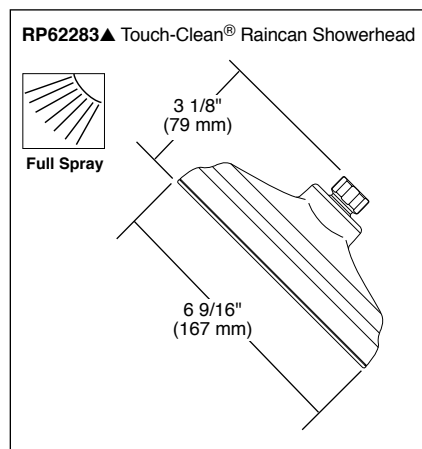
- Lifetime Faucet and Finish Limited Warranty to the original consumer purchaser to be free from defects in material and workmanship.
- 5 Year Limited Warranty for usage in all industrial, commercial and business applications.

## COMPLIES WITH:

- ASME A112.18.1 / CSA B125.1
- ASSE 1016
- ♿ Indicates compliance to ICC/ANSI A17.1



▲ Designate Proper Finish Suffix



55 E. 111th Street, Indianapolis, Indiana 46280  
 350 South Edgeware Road, St. Thomas, ON N5P 4L1  
 © 2012 Masco Corporation of Indiana

Delta reserves the right (1) to make changes in specifications and materials, and (2) to change or discontinue models, both without notice or obligation. Dimensions are for reference only. See current full-line price book or www.specselect.com for finish options and product availability.