

Wall Inlet Kit

MODEL: 326N

For use in installing a Central Cleaning Wall Inlet in existing construction.

MAKING THE CUTOUT

1. Locate wall inlet 18" on-center from the floor.
2. **Refer to Figure 1.** Use the enclosed template to mark the wall for the cutout. Mark screw hole locations through punched holes in top and bottom of the template.
3. Drill two 3/8" diameter holes at top and bottom as marked with template.
4. Make cutout in wall. make sure to cut along inside of marked line.

ATTACHING THE MOUNTING PLATE

1. **Refer to Figure 2.** Remove nail flange from inlet mounting plate.
2. Pull flexible tubing through cutout.
3. Apply cement to both the **inside** of the flexible tubing and the **outside** of the mounting plate's tube ring.
4. Attach mounting plate to flexible tubing and allow **5 minutes** for cement to completely dry.

COMPLETING INLET ASSEMBLY

1. Pull low voltage wiring through top hole in mounting plate.
2. Connect low voltage wires to terminal screws on inlet cover.
3. **Refer to Figure 3.** Assemble inlet cover to tube guard and mounting plate.
4. Insert the **top** screw through the entire inlet assembly until screw engages mounting plate.

FIGURE 1

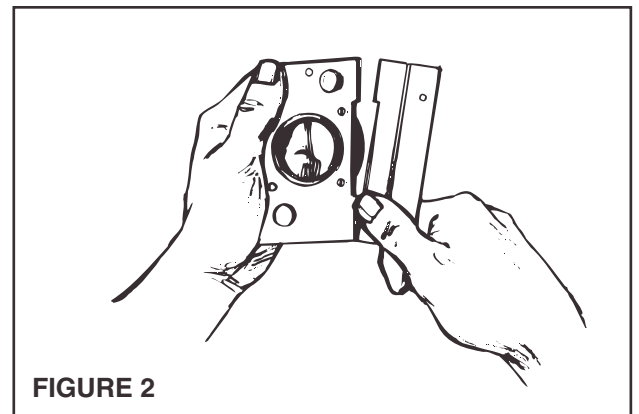
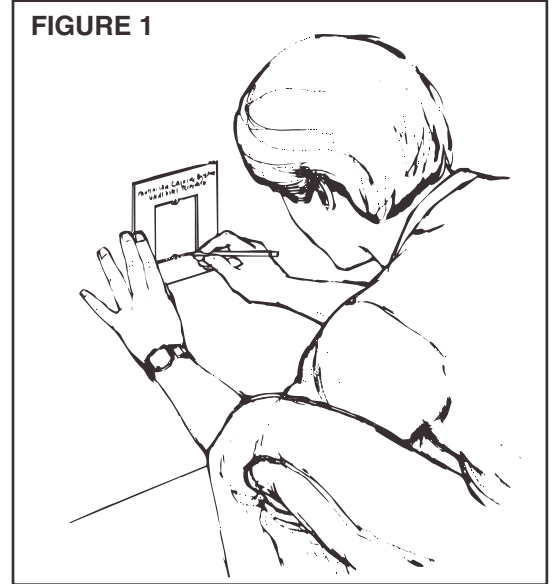


FIGURE 2

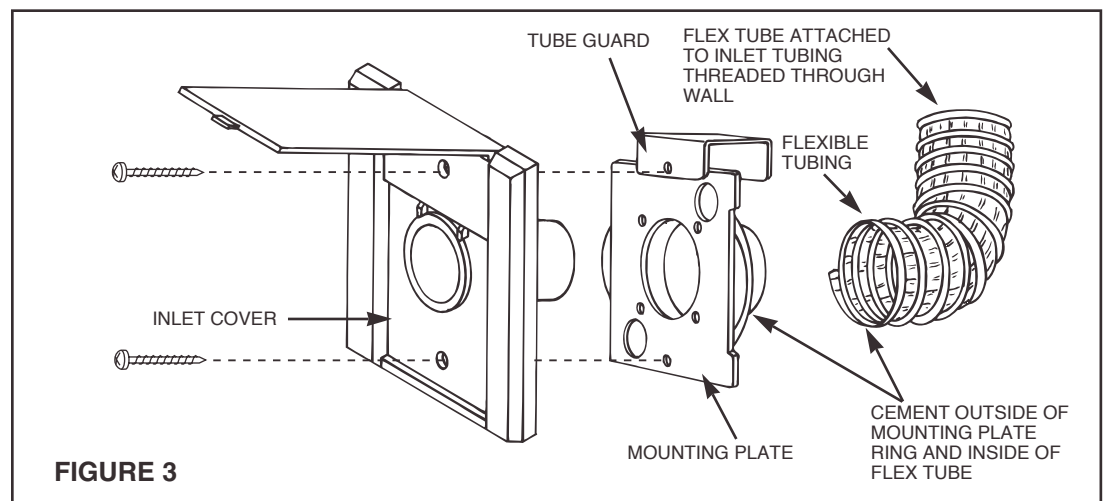


FIGURE 3

INSTALLING THE INLET

1. **Refer to Figure 4.** Place inlet into wall cutout. Angle the bottom of the mounting plate into the cutout, push the top into the cutout, and left assembly upward until screw sets in predrilled hole.

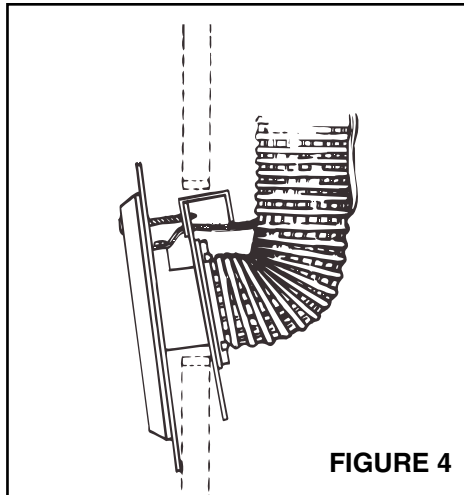


FIGURE 4

2. **Refer to Figure 5.** Adjust assembly as required. The wall should be sandwiched between the mounting plate and the frame plate.
3. Insert the bottom screw through assembly.
4. Tighten down each screw a little bit at a time until assembly is secure.

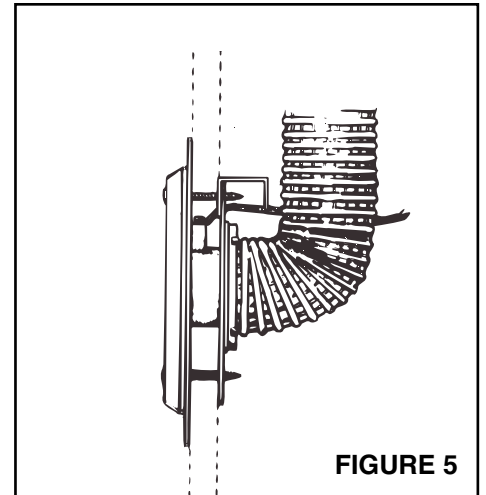


FIGURE 5

NuTone®

One Year Limited Warranty

WARRANTY OWNER: NuTone warrants to the original consumer purchaser of its products that such products will be free from defects in materials or workmanship for a period of one (1) year from the date of original purchase. **THERE ARE NO OTHER WARRANTIES, EXPRESS OR IMPLIED, INCLUDING, BUT NOT LIMITED TO, IMPLIED WARRANTIES OF MERCHANTABILITY OR FITNESS FOR A PARTICULAR PURPOSE.**

During this one year period, NuTone will, at its option, repair or replace, without charge, any product or part which is found to be defective under normal use and service. THIS WARRANTY DOES NOT EXTEND TO FLUORESCENT LAMP STARTERS OR TUBES, FILTERS, DUCT, ROOF CAPS, WALL CAPS AND OTHER ACCESSORIES FOR DUCTING. This warranty does not cover (a) normal maintenance and service or (b) any products or parts which have been subject to misuse, negligence, accident, improper maintenance or repair (other than by NuTone), faulty installation or installation contrary to recommended installation instructions.

The duration of any implied warranty is limited to the one year period as specified for the express warranty. Some states do not allow limitation on how long an implied warranty lasts, so the above limitation may not apply to you.

NUTONE'S OBLIGATION TO REPAIR OR REPLACE, AT NUTONE'S OPTION, SHALL BE THE PURCHASER'S SOLE AND EXCLUSIVE REMEDY UNDER THIS WARRANTY. NUTONE SHALL NOT BE LIABLE FOR INCIDENTAL, CONSEQUENTIAL OR SPECIAL DAMAGES ARISING OUT OF OR IN CONNECTION WITH PRODUCT USE OR PERFORMANCE. Some states do not allow the exclusion or limitation of incidental or consequential damages, so the above limitation or exclusion may not apply to you. This warranty gives you specific legal rights, and you may also have other rights, which vary from state to state. This warranty supersedes all prior warranties.

WARRANTY SERVICE: To qualify for warranty service, you must (a) notify NuTone at the address stated below or telephone 1/800-543-8687, (b) give the model number and part identification and (c) describe the nature of any defect in the product or part. At the time of requesting warranty service, you must present evidence of the original purchase date.

Date of Installation

Builder or Installer

Model No. and Product Description

IF YOU NEED ASSISTANCE OR SERVICE:

For the location of your nearest NuTone Independent Authorized Service Center:

Residents of the contiguous United States Dial Free 1-800-543-8687

Please be prepared to provide:

Product model number • Date and Proof of purchase • The nature of the difficulty

Residents of Alaska or Hawaii should write to: NuTone Inc. Attn: Department of National Field Service, 4820 Red Bank Road, Cincinnati Ohio 45227-1599.

Residents of Canada should write to: Broan-NuTone Canada, 1140 Tristar Drive, Mississauga, Ontario, Canada L5T 1H9.

Rev. 03/2001

NuTone®

Product specifications subject to change without notice.
4820 Red Bank Road, Cincinnati, Ohio 45227
Printed in U.S.A., Rev. 03/2001, Part No. 34362