

PuraVida

PuraVida Electronic Faucet with Temperature Control

Finishes : **White/Chrome** Part no. : **15170401**



Description

Features

- Infrared sensor
- Battery operated (battery type 6V CR-P2, included) with low battery indicator
- Temperature control
- Aerated spray
- Pop-up assembly not included
- $\frac{3}{8}$ " compression

Item details

List Price \$ 860.00

Technology



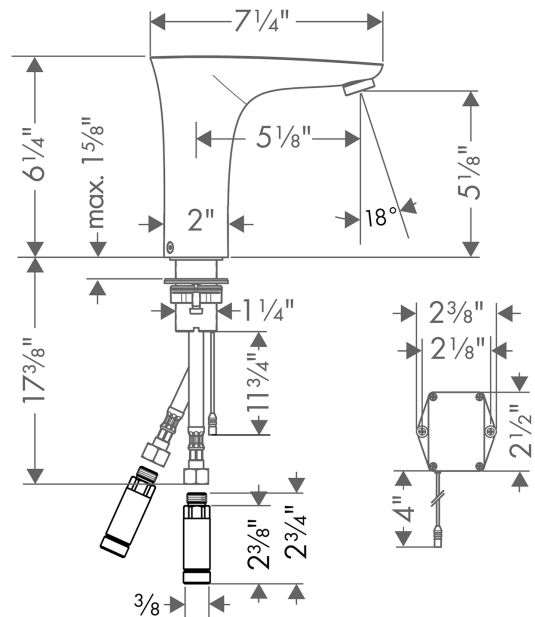
Compliance



Product image



Scale drawing



PuraVida

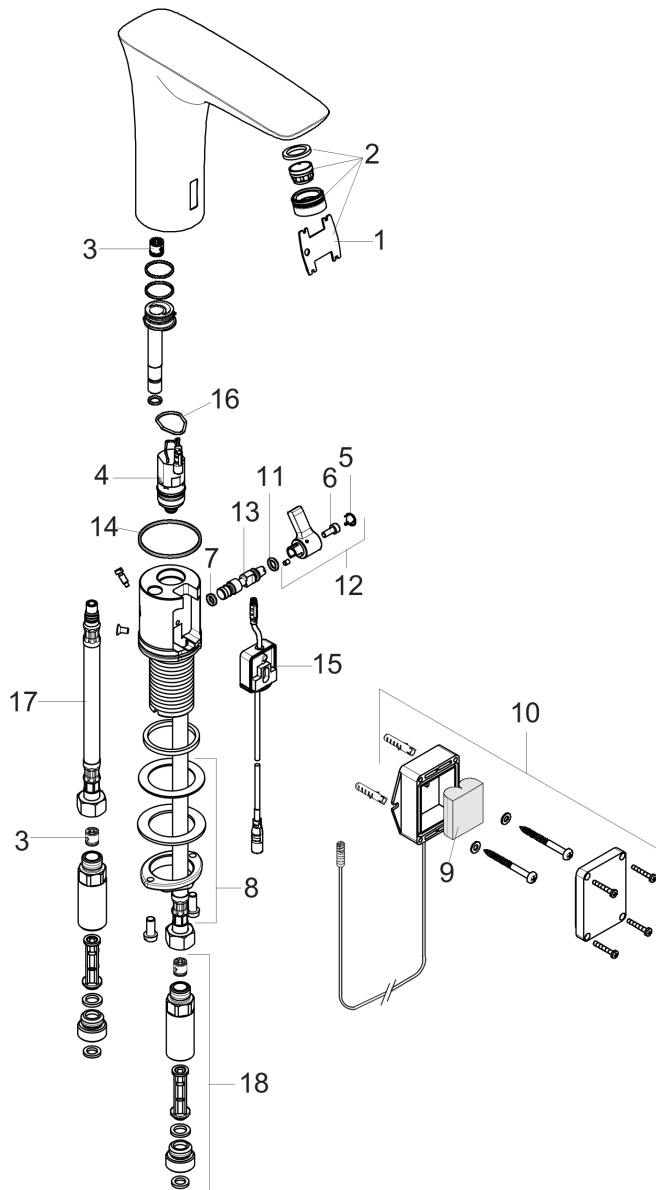
PuraVida Electronic Faucet with Temperature Control

Finishes : **White/Chrome** Part no. : **15170401**



Exploded drawing

Year of production: >05/14



PuraVida

PuraVida Electronic Faucet with Temperature Control

Finishes : **White/Chrome** Part no. : **15170401**



Spare parts list

Year of production: >05/14

Pos.	Description	Part no.	Price	PU
1	service tool	98808000	-	1
2	aerator M24x1 (5 l/min)	98802000	-	1
3	non return valve DW 10	96456000	-	1
4	solenoid valve	95654000	-	1
5	cover cap	95433000	-	1
6	hexagon socket screw M4x10	97661000	-	1
7	O-ring 5x2	98215000	-	1
8	fixing set (Ø 32)	13961000	-	1
9	battery	97399000	-	1
10	battery box	98801000	-	1
11	O-ring 6x2	98458000	-	1
12	sliding gear lever	92379000	-	1
13	mixing shaft	92377000	-	1
14	O-ring 41x2	98212000	-	1
15	electronics	92346000	-	1
16	O-ring 17x2	98199000	-	1
17	connection hose 450 mm	92345000	-	1
18	back flow preventor cartridge with microfilter	92297001	-	1